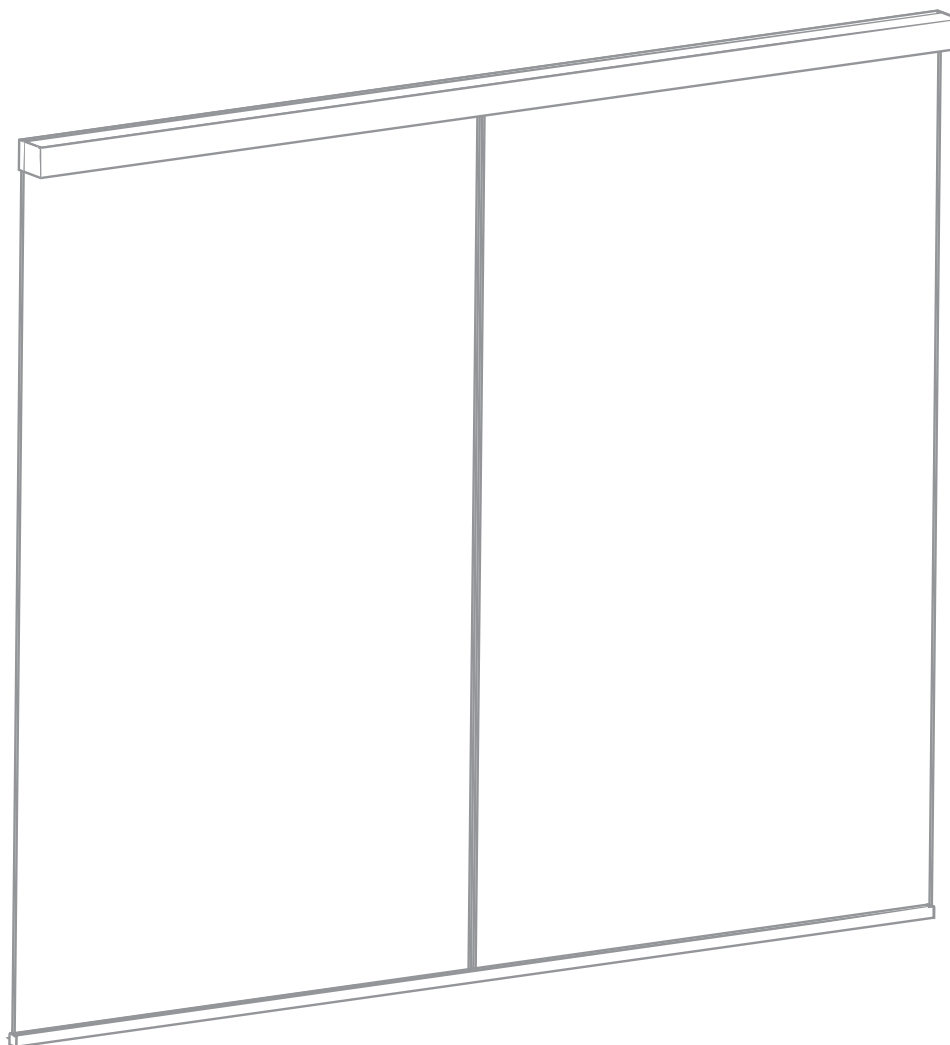


# MUTO Comfort L80

Ceiling mount with Dormotion and Sidelites (Glass)

Installation Manual



# Table of contents

<b>1</b>	<b>Technical specifications</b>	<b>3</b>			
1.1	Overview	3	2.17	Adjustment door height	16
1.1.1	General information	3	2.18	Adjustment end stop location: LEADING end stop	17
1.1.2	Intended use	3		Adjustment end stop location: TRAILING end stop	17
1.1.3	Glass requirements and fittings	3	2.19	Install DORMOTION units	18
1.1.4	Requirements for glass panel	3	2.20	Adjust start/stop pin height (if necessary)	20
1.1.5	Safety instructions	3	2.21	Cover clips	21
1.1.6	Symbols used - Safety/Installation	3	2.22	Cover spacers	21
1.1.7	Maintenance, care, repair	3	2.23	Install brush profile	22
1.1.8	Disposal	3	2.24	Install view protection clips	22
1.2	Specifications - technical data	4	2.25	Install cover and view protection profile	23
1.3	Tempered laminate glass (TLG) and adhesive specifications	4	2.26	Install end caps	23
<b>2</b>	<b>Installation instructions</b>	<b>5</b>			
2.1	Overall	5			
2.2	Door/wall dimensions	6			
2.3	Installing the end stops	7			
2.4	Securing gasket to track	7			
2.5	Securing track and sidelite section profile to mounting surface	8			
2.6	Installing U-channel for sidelite	8			
2.7	Installing sidelite glass	9			
2.8	Installing sidelite glass filler panel	9			
2.9	Installing sidelite glass gasket	10			
2.10A	Installing the roller carriers: on monolithic glass ONLY	11			
2.10B	Installing roller carriers: on tempered laminate glass ONLY	12			
2.11	Install DORMOTION start/stop	13			
2.12	Disengaging the anti-jump	14			
2.13	Install glass/rollers in track	14			
2.14	Install floor guide	15			
2.15	Install floor guide: continued	15			
2.16	Engaging anti-jump	16			

# 1 Technical specifications

## 1.1 Overview

These instructions are for installation of MUTO COMFORT sliding door system L80 with Sidelites for the following mounting and style versions:

### 1. Ceiling mount

#### 1.1.1 General information

- dormakaba requires use of tempered monolithic or tempered laminated glass.
- dormakaba glass hardware is not suitable for application in rooms where chemicals (e.g. chlorine) are used as indoor swimming pools, saunas or salt-water pools.
- Never move sliding panels faster than walking speed and always stop the door manually before it reaches end position.
- Do not slide doors with excessive force. Install limiting stop to prevent door from opening too far.

#### 1.1.2 Intended use

- For sliding door in dry indoor areas only
- For manual slowly opening and closing only

#### 1.1.3 Glass requirements and fittings

- The substructure/wall must be able to bear permanent loads and be level (max. tolerance: 1/16" [2] per 39" [1m]).
- Fasteners must be sufficiently dimensioned for the substructure/wall and weight of the door.
- When adjusting glass components, always stick to the required clearance for the respective hardware. Adjust clearance so glass does not come in contact with any hard surfaces such as glass, metal or concrete.
- Do not use excessive force when installing the glass (avoid over tightening screws).

#### 1.1.4 Requirements for glass panel

- dormakaba requires use of fully tempered glass, which complies with ASTM C 1036 and ASTM C 1048. Secondary heat soaking processes are recommended but not required. This applies to both tempered monolithic and tempered laminated glass.
- Clamping area must be flat and uncoated (no self-cleaning coating!)
- Never use glass with conchoidal fractures and/or damaged edges.

#### 1.1.5 Safety instructions

- Installation requires two people.
- Only properly qualified and specially trained staff

are authorized to mount dormakaba glass hardware.

- Due to crushing hazards and possible injury caused by breakage of glass during mounting, corresponding protective clothing (especially gloves and protective goggles) is required.
- Never clamp metal fitting hardware directly to glass surface.

#### 1.1.6 Symbols used - Safety/Installation



##### CAUTION

Mounting components must meet the requirements of substructure/wall and door weight. Please read the technical information for fittings.



##### WARNING

Risk of breaking glass. When installing the door, support the door panel with a block of wood or similar object.



##### TIPS AND RECOMMENDATIONS

Information note



##### CLOSING EDGE

#### 1.1.7 Maintenance, care, repair

- Immediately replace damaged parts.
- Always use original dormakaba parts.
- Clean clamping area with alcohol-based standard commercial cleaning agent before mounting the glass hardware.
- Use a damp cloth for occasional cleaning, especially the track.
- Always use silicone - and oil-free cleaners (e.g. acetone).
- Check glass hardware at regular intervals for proper positioning and smooth operation and correct adjustment.
- High traffic door systems require inspection by properly qualified staff (specialized companies or installation firms.)

#### 1.1.8 Disposal

Disposal in accordance with local, state and national regulations.

## 1.2 Specifications - technical data

		Single Door	Double Door
		L80	L80
<b>Ceiling mount</b>	Door leaf weight lbs [kg] *	≤176lbs [≤80]	2 x ≤176lbs [2 x ≤80]

\* Including weight of auxiliary hardware.

## 1.3 Tempered laminate glass (TLG) and adhesive specifications

Required parts for laminate glass with MUTO System (not included)	Part Number	Quantity	Usage recommendation
3M™ Scotch-Weld™ Urethane Adhesive, DP 605 NS	934.800	1 tube	1 tube per 4 roller carriers
3M™ Scotch-Weld™ EPX™ Plus II Applicator with 1:1 Plunger <sup>2</sup>	934.801	1 applicator	1:1 plunger with 934.800 adhesive
3M™ Scotch-Weld™ EPX™ Plus II Mixing Square Nozzle, 5.3mm <sup>3</sup>	934.805	Pk of 4	4 nozzles per 1 tube of adhesive
MUTO TLG gasket set	807.640	1 set	
Handling time frame	Function	Time	
	Working life ( <i>time between application and clamping of carrier</i> )	5 minutes @ 75°F	
	Handling strength	20 minutes @ 73°F or more	
	Full cure time ( <i>normal door usage not recommended until full cure time as been met</i> )	48 hours @ 73°F or more	

**NOTE: Door glass should not be installed until the full cure time as been reached (see chart above).**

**Important safety-related information for the mounting and use of dormakaba glass hardware.**

1.1 Clean clamping area with alcohol-based standard commercial cleaning agent before mounting the glass hardware.

1.2 Never clamp metal glass fitting hardware directly to glass surface.

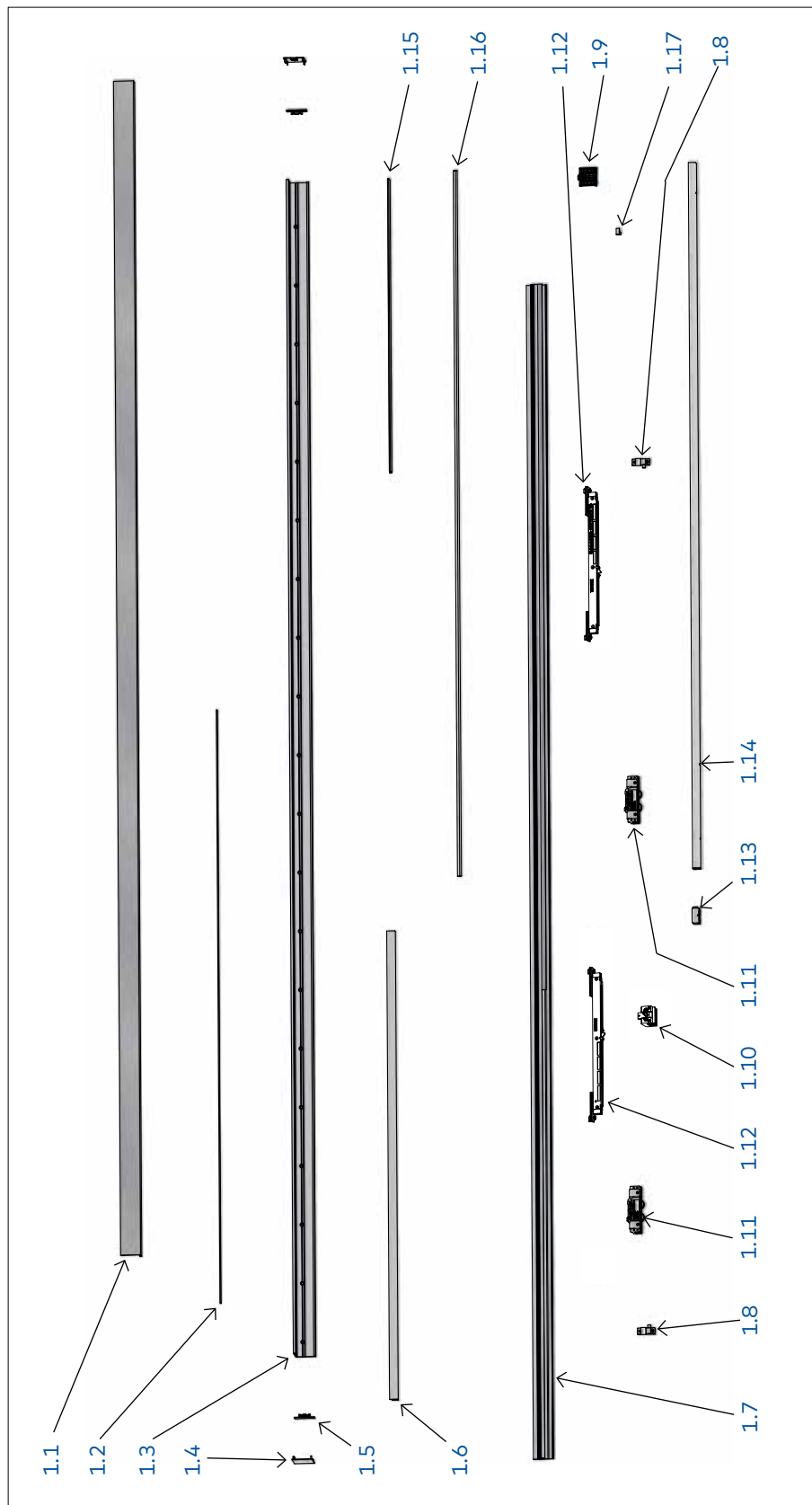
1.3 Never use clamping product on surfaces with self-cleaning coatings.

<sup>2</sup> Scotch-Weld™ EPX™ Plus II Applicator with 1:1 Plunger is a trademark of 3M.

<sup>3</sup> Scotch-Weld™ EPX™ Plus II Mixing Square Nozzle is a trademark of 3M.

# 2 Installation instructions

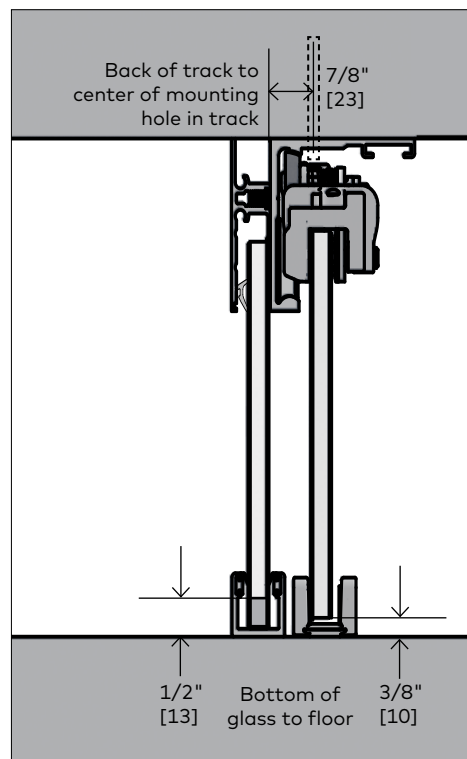
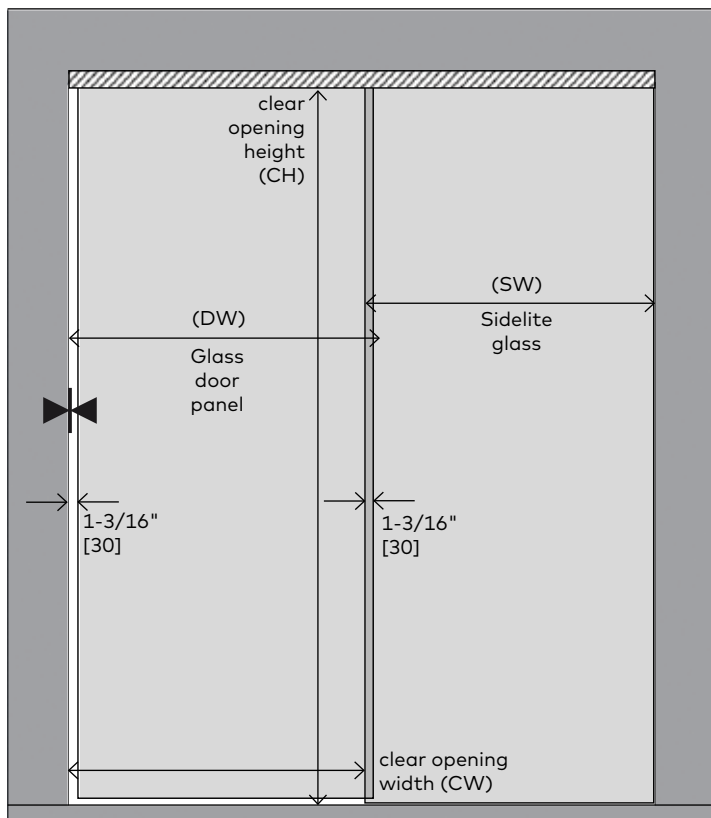
## 2.1 Overall



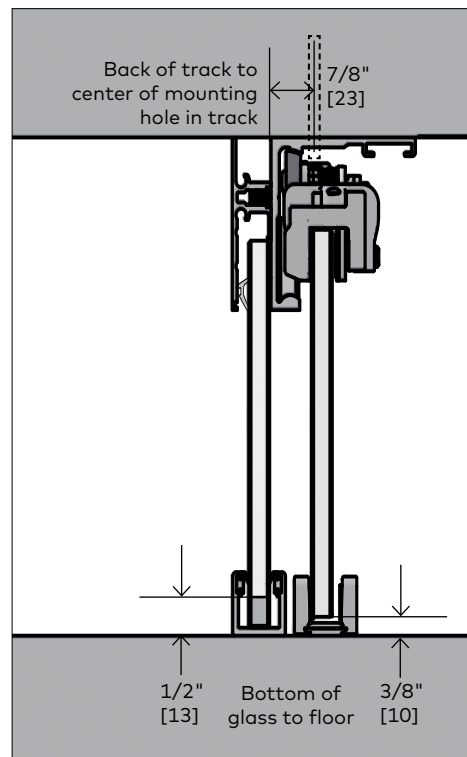
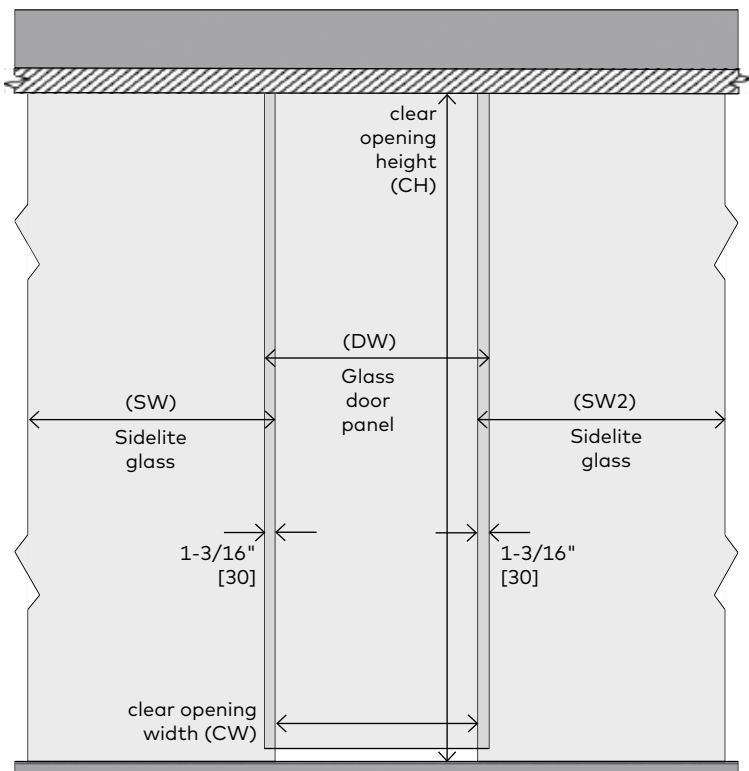
1.1	Cover panel	1.11	Roller carrier	1.15	Sidelite glass gasket
1.2	Brush strip	1.12	Dormotion units	1.16	View protection profile
1.3	Track	1.13	Floor guide	1.17	View protection clip
1.4	Cover end cap	1.14	U-channel		
1.5	Sidelite profile end cap				
		1.11	Filler profile		
		1.12	Sidelite profile		
		1.13	End stop		
		1.14	Cover clips		
		1.10	Start/stop guide		
		1.11			
		1.12			
		1.13			
		1.14			
		1.15			
		1.16			
		1.17			

## 2.2 Door/wall dimentions

### Single sidelite mount



### Multiple sidelite mount



**NOTE:**

**Overhead Reinforcement:**

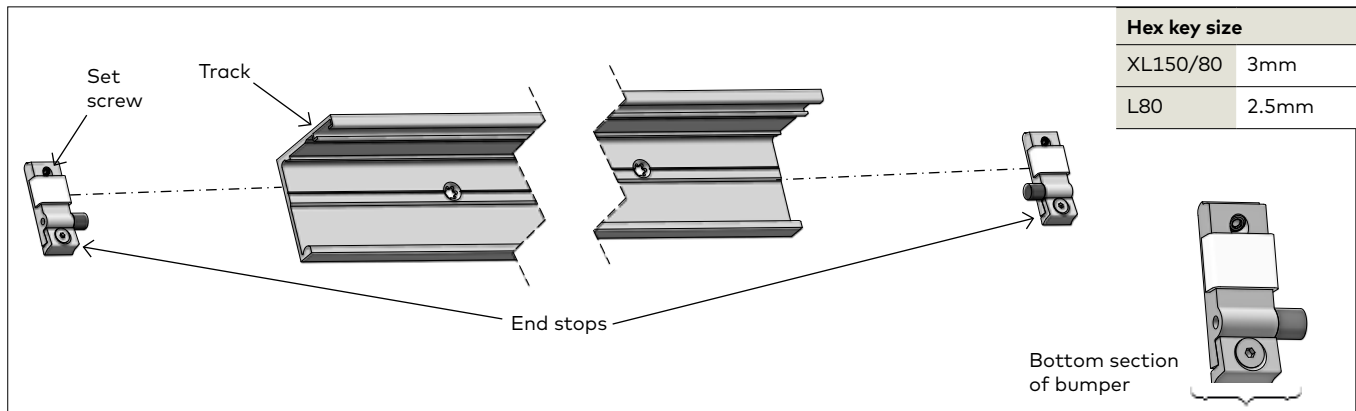
The overhead reinforcement must be a minimum of ¼" [6] x 3" [76] steel angle, 16 gauge metal stud, or two pieces of 1 1/2" [38] thick wood blocking (double stacked), secured to studs or joists on a maximum 16" [406] centers for the length of the track. The overhead reinforcement may be flush on the overhead surface or on the interior of this surface.

Track mounting screws must fully penetrate the steel angle, metal stud, or at a minimum of 2" [51] into wood blocking, utilizing the predrilled holes in the MUTO track.

Consult with a structural engineer to determine if reinforcement is adequate for your specific application or to meet specific codes in your location.

## 2.3 Installing the end stops

Fig 1



2.3.1 Slide bumper stops into each end of the track.

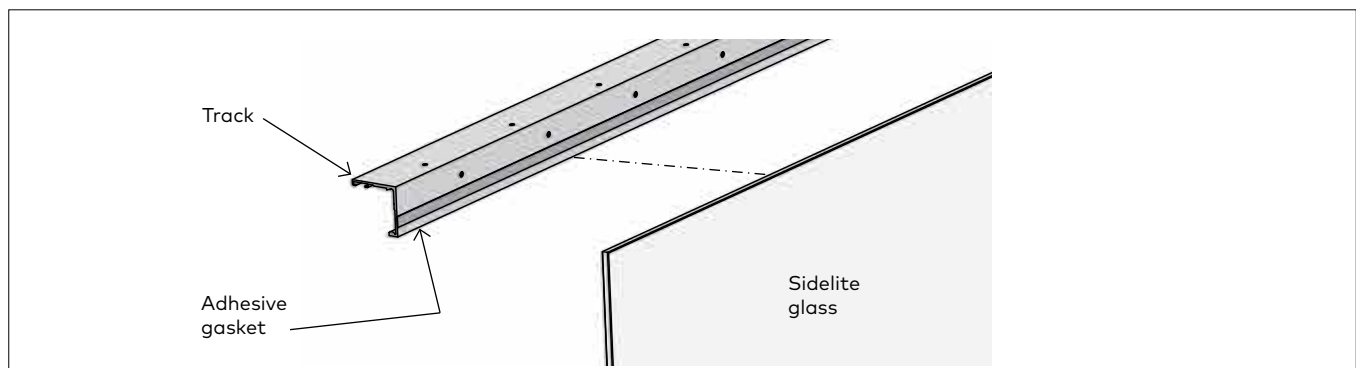
**NOTE: Loosen bottom section of end stop for easier install.**

**NOTE: Be sure set screw is flush with back of bumper.**

**NOTE: Exact location/adjustments will be determined in the Adjustment End Stop Location step.**

## 2.4 Securing gasket to track

Fig 2



2.4.1 Ensure the track is cut to proper length.

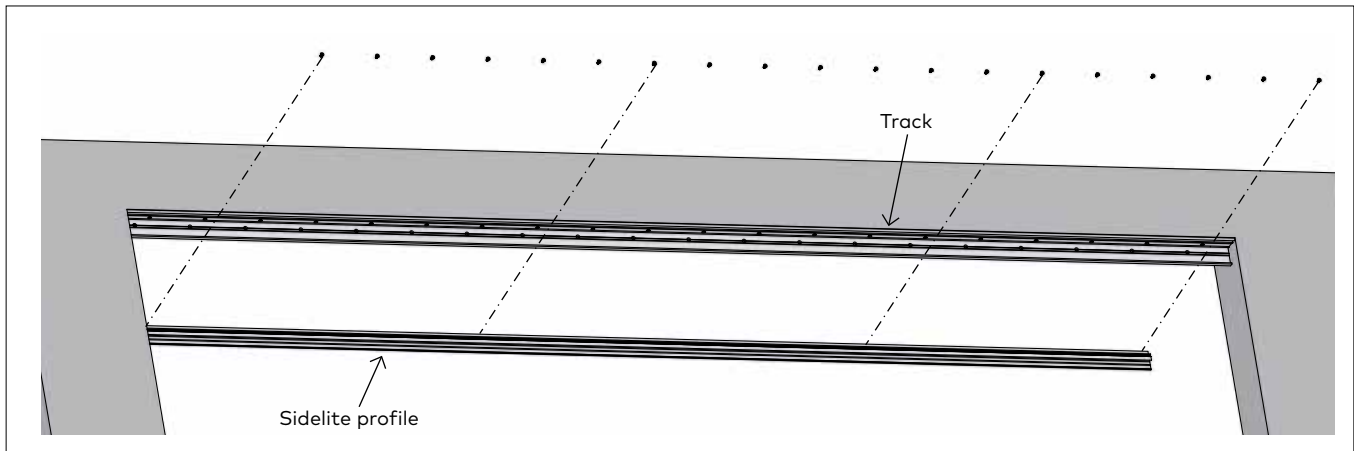
**NOTE: SEE DIMENSION INSTRUCTIONS ON PAGE 6.**

2.4.2 Cut adhesive gasket equal to sidelite glass width.

2.4.3 Adhere gasket along bottom edge of back of track.

## 2.5 Securing track and sidelite section profile to mounting surface

Fig 3



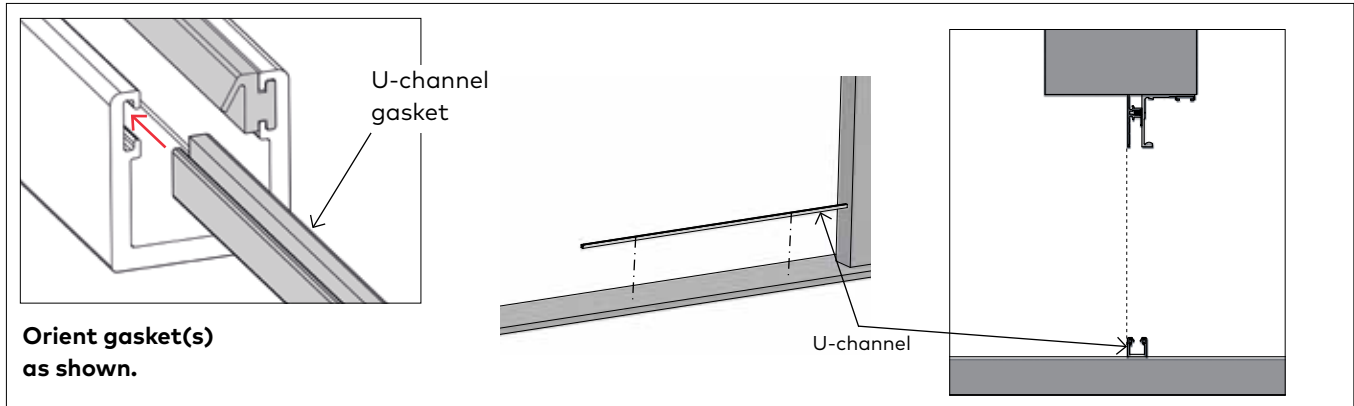
- 2.5.1 Secure track to mounting surface.
  - 2.5.2 Align predrilled holes in sidelite profile with track profile.
- NOTE: Holes will be predrilled every 7-7/8" [200].**

- 2.5.3 Secure with proper fasteners.

**NOTE: Be sure fasteners are flush with track to avoid rollers catching protruding fasteners.**

## 2.6 Installing U-channel for sidelite

Fig 4



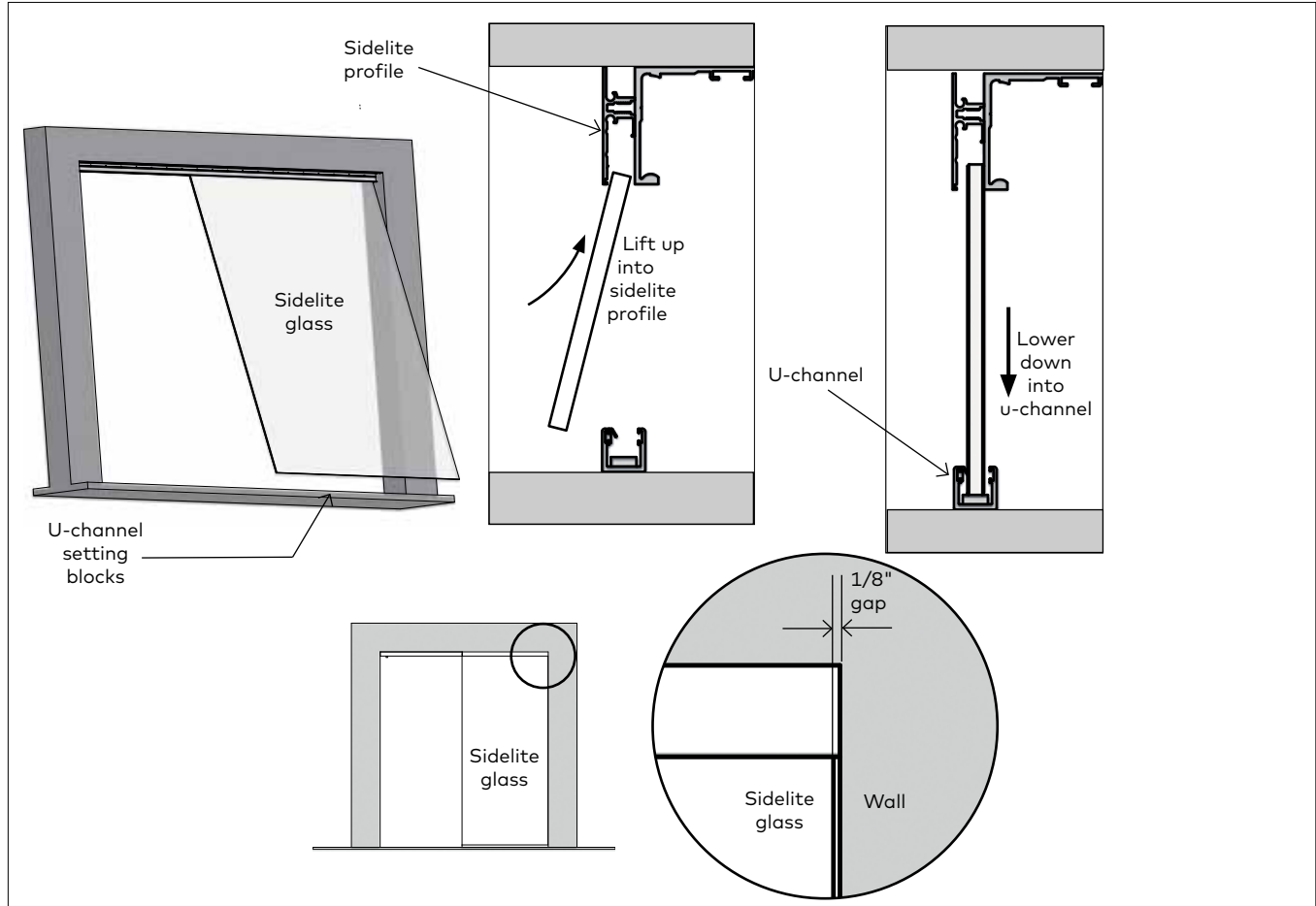
- 2.6.1 Install gaskets as shown. Trim to correct length.
- 2.6.2 Secure u-channel to floor using appropriate fasteners.

**NOTE: Ensure u-channel is plumb and the back of the u-channel profile aligns with back of sidelite profile.**



## 2.7 Installing sidelite glass

Fig 5

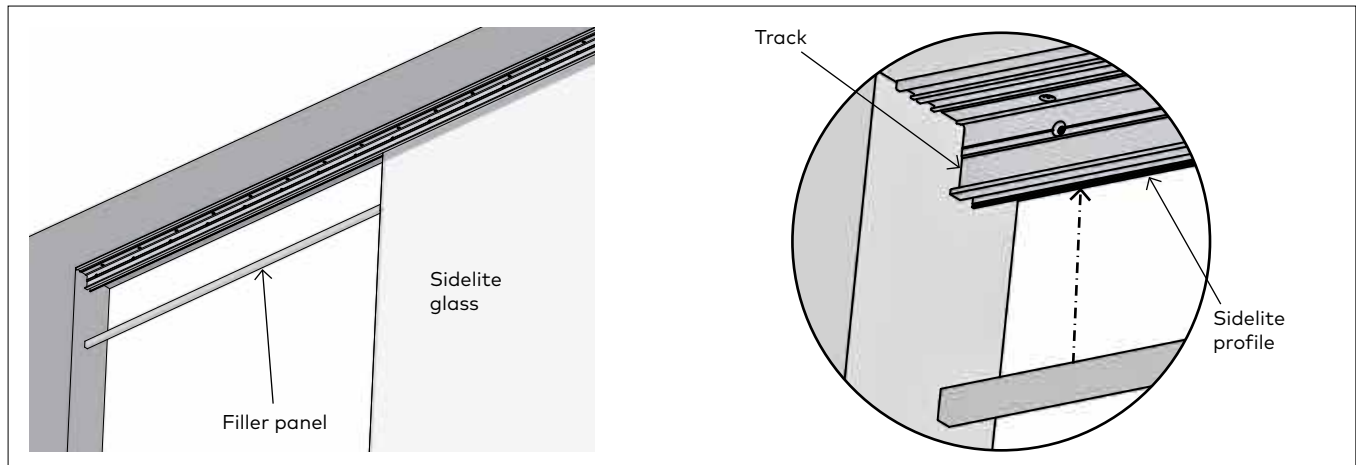


- 2.7.1 Place setting blocks into u-channel.
- 2.7.2 Spray inside of u-channel with glass cleaner.
- 2.7.3 Lift glass up and into sidelite profile.
- 2.7.4 Lower glass into u-channel.

- 2.7.5 Ensure there is 1/8" [3] gap between wall and edge of sidelite glass.
- 2.7.6 If using tempered laminated glass, gently press glass panel against u-channel gasket and dispense silicone along full length of non-gasket side of U-channel.

## 2.8 Installing sidelite glass filler panel

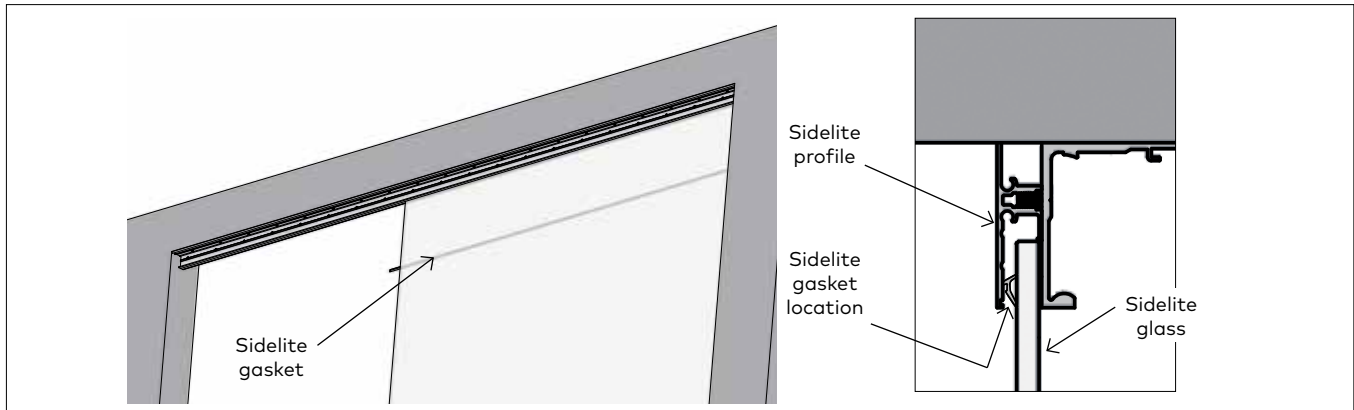
Fig 6



- 2.8.1 Fit filler panel in to gap of door panel section in sidelite profile.

## 2.9 Installing sidelite glass gasket

Fig 7



2.9.1 Cut gasket to length per chart above.

2.9.2 Press gasket in between sidelite glass and sidelite profile.

## 2.10A Installing the roller carriers: on monolithic glass ONLY

Fig 8

**DETERMINE THE LEADING (X) VERSUS TRAILING (Z) EDGE OF THE GLASS.**  
**"LEADING IS SIDE CLOSEST TO LATCH CLOSED."**

**Roller location on glass with DORMOTION unit**

		L80
Single door	<b>X</b>	3-1/8" [80]
Single door	<b>Z</b>	1-9/16" [40]
Double door	<b>X</b>	1-9/16" [40]
Double door	<b>Z</b>	2-3/8" [60]

Secure

(Front of) Glass

(Front of) Glass

**Legend**

Closing edge of door

**Torque values**

L80	10ft lbs [14Nm]
-----	--------------------

**Hex key size**

L80	2.5mm
-----	-------

**NOTE: FULLY CLEAN SURFACE OF GLASS WITH AN ALCOHOL-BASED MILD GLASS AND SURFACE CLEANER.**

**ENSURE GASKET IS FREE OF DEBRIS.**

**ENSURE ROLLER CARRIER WHEELS ARE FREE OF DEBRIS.**

2.10A.1 Slide roller carriers onto glass.

2.10A.2 Slide glass gasket and metal shim between glass and roller carrier.

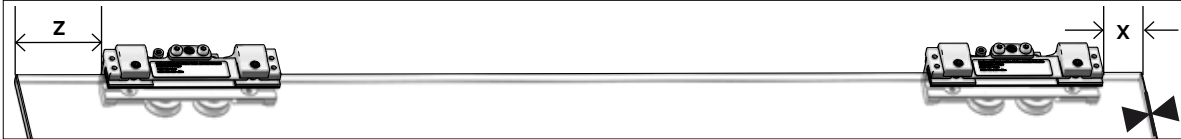
**NOTE: Orient gasket with rubber side facing the glass.**

2.10A.3 Secure roller carriers to glass using appropriate-size hex key at 10 ft lbs [14 Nm].


## 2.10B Installing roller carriers: on tempered laminate glass ONLY

Fig 9

**⚠ DETERMINE THE LEADING (X) VERSUS TRAILING (Z) EDGE OF THE GLASS.**  
**"LEADING IS SIDE CLOSEST TO LATCH CLOSED."**



Roller location on glass with DORMOTION unit			
		L80	
Single door	X	3-1/8" [80]	
Double door	X	1-9/16" [40]	
Single door	Z	1-9/16" [40]	
Double door	Z	2-3/8" [60]	

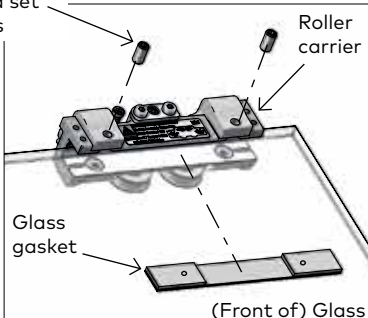
Legend	
	Closing edge of door

Hex key size	
L80	2.5mm

Torque values	
L80	4ft lbs [5Nm]

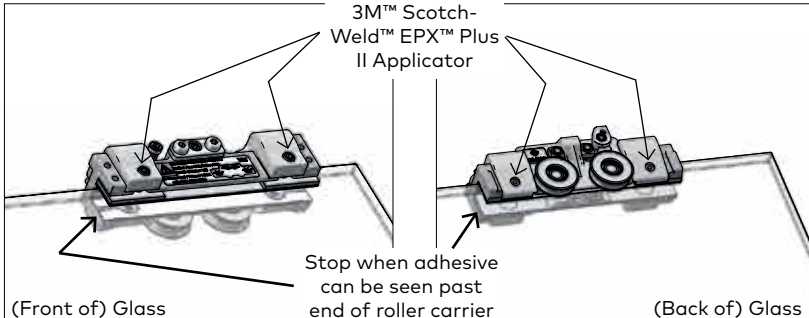


Secure with vented set screws

Roller carrier

Glass gasket

(Front of) Glass



3M™ Scotch-Weld™ EPX™ Plus II Applicator

Stop when adhesive can be seen past end of roller carrier

(Front of) Glass

(Back of) Glass

**⚠ NOTE: THE RECOMMENDED ADHESIVE'S SET-UP TIME IS 20 MINUTES FOR THE DUO-PAK CARTRIDGES.**

**⚠ NOTE: USE 1:1 RATIO PLUNGER WITH THE 3M™ Scotch-Weld™ Urethane Adhesive.**

**⚠ NOTE: FULLY CLEAN SURFACE OF GLASS WITH AN ALCOHOL-BASED MILD GLASS AND SURFACE CLEANER. ENSURE NO DEBRIS IS ON THE GASKET.**

**⚠ ENSURE ROLLER CARRIER WHEELS ARE FREE OF DEBRIS.**

2.10B.1 Slide carriers onto glass.

2.10B.2 Replace existing gasket with TLG gasket.

2.10B.3 Slide laminated glass gasket and metal shim between glass and roller carrier.

**NOTE: Orient gasket with rubber side facing the glass.**

2.10B.4 Replace existing set screws with vented set screws.

2.10B.5 Tighten vented set screws at 4 ft lbs [5Nm].

**NOTE: Onto scrap material, first dispense approximately 12" of 3M™ Scotch-Weld™ Urethane Adhesive prior to application to prevent mixing errors and ensure optimal hardening.**

2.10B.6 Dispense adhesive into vented set screws on both sides of carrier.

**⚠** Stop application when adhesive can be seen past edge of roller carrier.

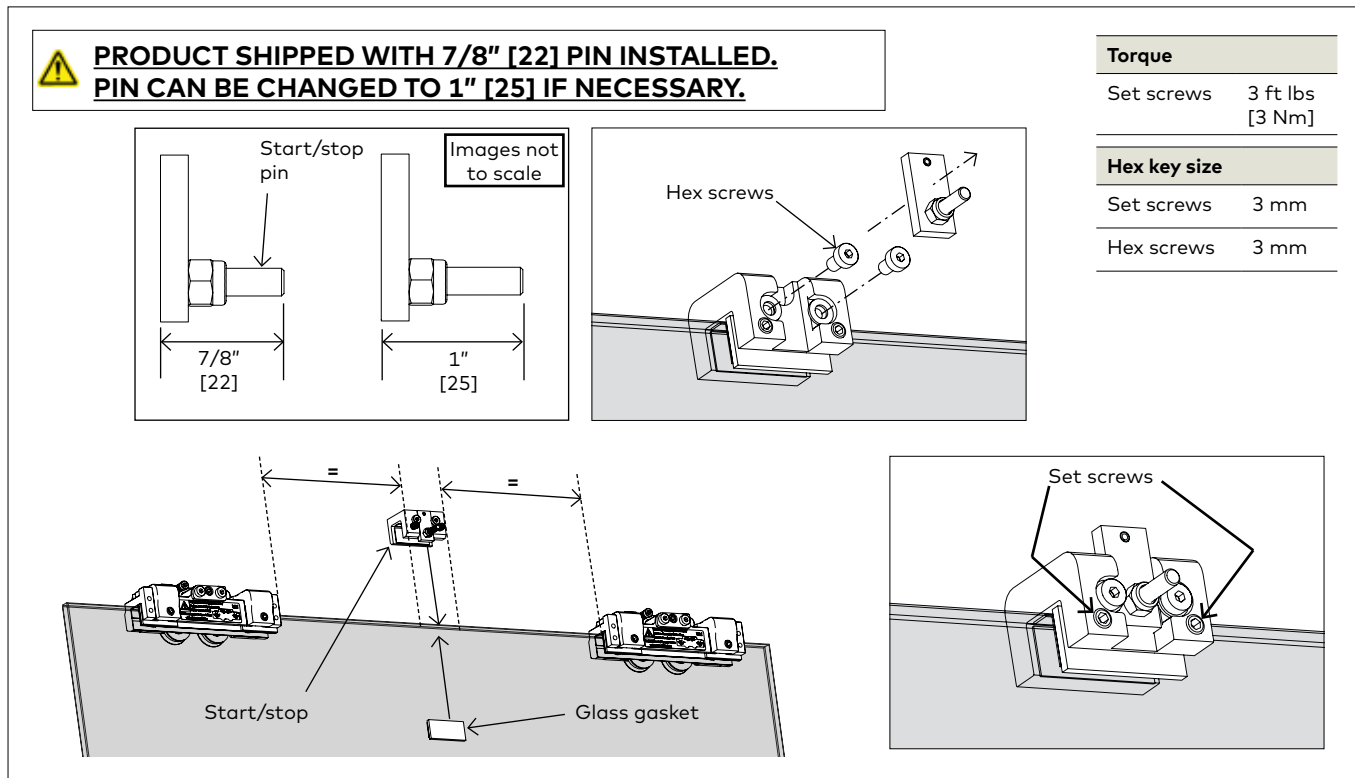
**⚠ DO NOT WIPE** any excess adhesive from glass surface. Allow adhesive to dry and scrape off glass surface with a beveled-edge chisel or putty knife.

**NOTE: Keep glass flat during curing process.**

**NOTE: See chart in Specifications section for appropriate curing time.**

## 2.11 Install DORMOTION start/stop

Fig 10



**NOTE:** Determine a pin length based upon how square and plumb the opening is.

2.11.1 If required, change pin in start/stop assembly.

- Remove hex screws.
- Remove existing pin and plate.
- Swap in appropriate pin and plate.
- Replace hex screws.

2.11.2 Slide start/stop onto glass.

2.11.3 Center equally between the carriers.

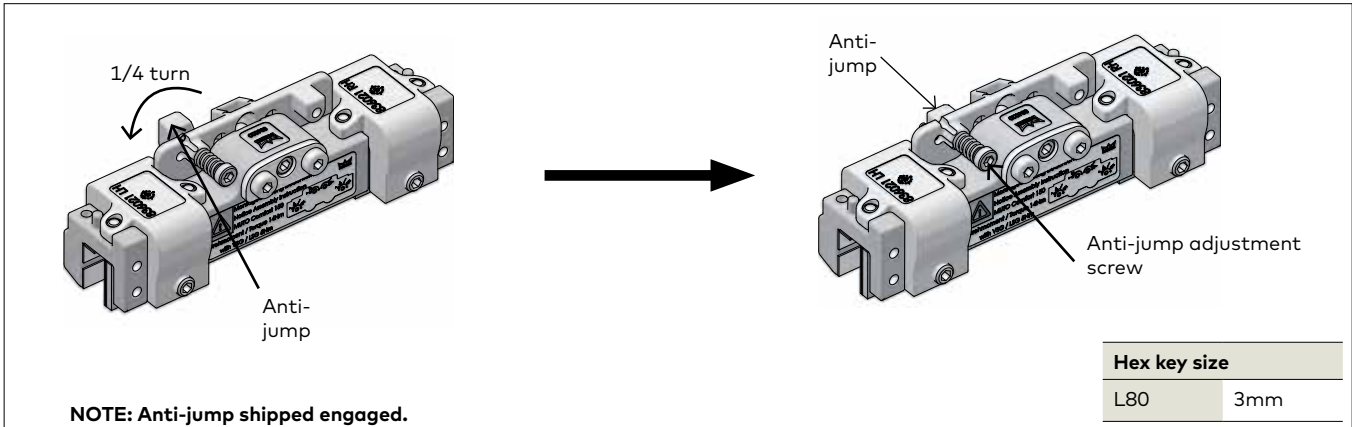
2.11.4 Slide glass gasket between start/stop and glass.

**NOTE:** Orient with gasket facing glass.

2.11.5 Secure start/stop via set screws.

## 2.12 Disengaging the anti-jump

Fig 11

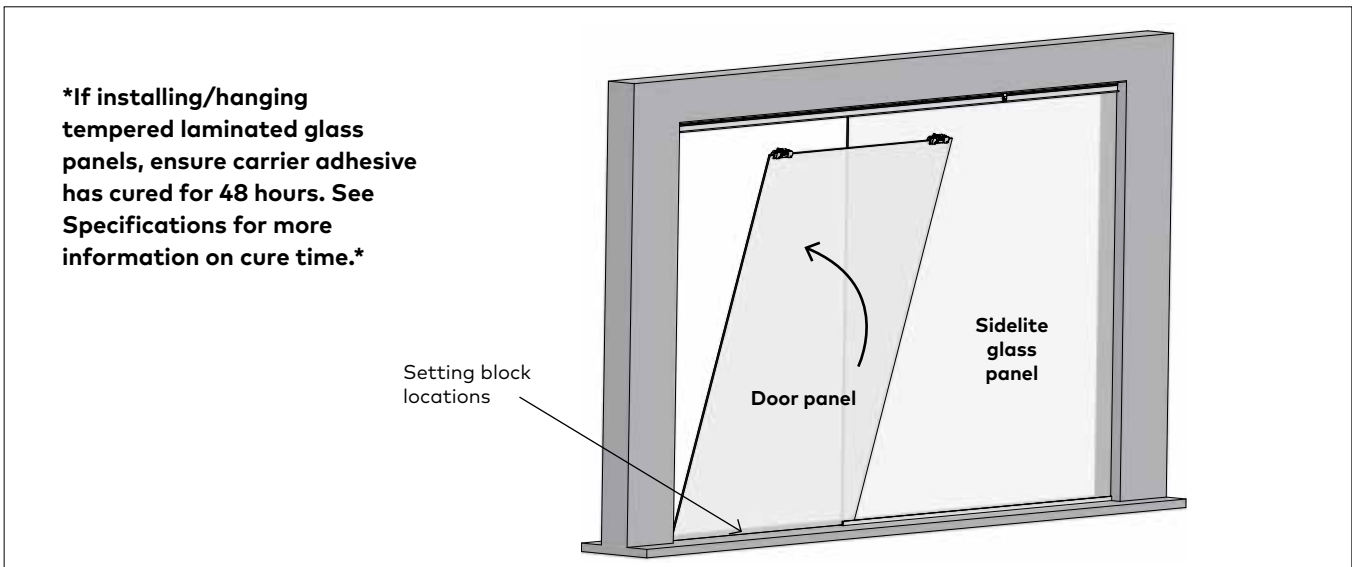


2.12.1 Disengage the anti-jump on roller carrier.

**NOTE:** Using the appropriate-size hex key, push anti-jump adjustment screw **IN** and turn **COUNTER-CLOCKWISE 90°** to **disengage** anti-jump.

## 2.13 Install glass/rollers in track

Fig 12



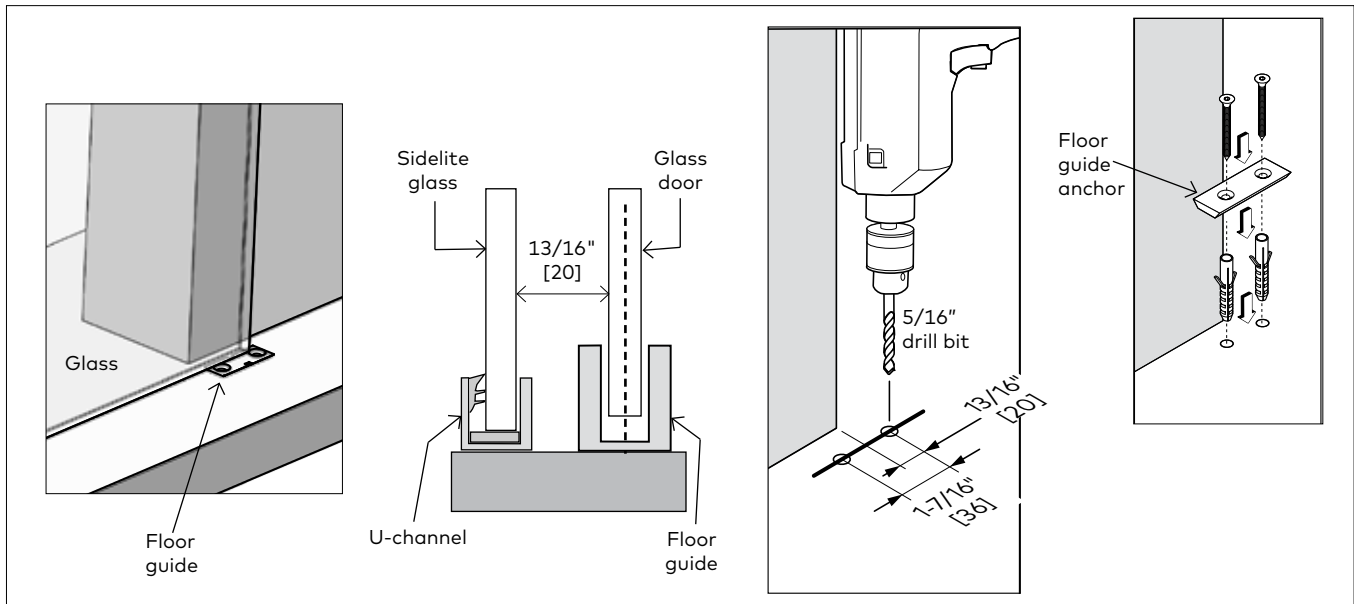
**⚠ ENSURE ROLLERS AND TRACK ARE FREE OF DEBRIS.**

2.13.1 Place glass on setting blocks on floor for stability.

2.13.2 Tip glass and rollers upward and rest rollers on track.

## 2.14 Install floor guide

Fig 13



### ANTI-JUMP IS DISENGAGED!

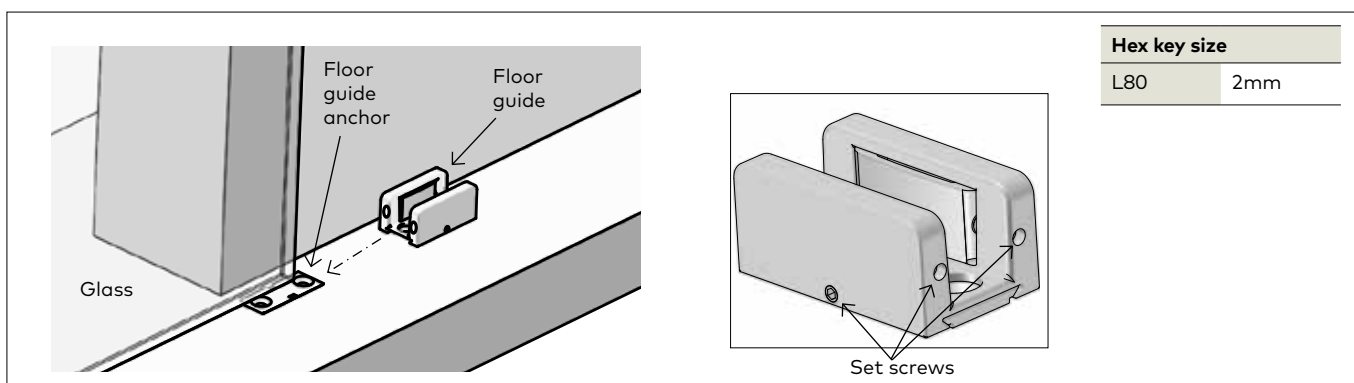
- 2.14.1 Align centerline of glass with centerline of floor guide.
- 2.14.2 Be sure the glass is plumb.
- 2.14.3 Mark appropriate floor guide measurements.

### 2.14.4 TEMPORARILY REMOVE GLASS AND ROLLERS FROM TRACK.

- 2.14.5 Pre-drill into mounting surface using a 5/16" drill bit.
- 2.14.6 Secure floor guide anchor with included fasteners.

## 2.15 Install floor guide: continued

Fig 14



- 2.15.1 **SET GLASS AND ROLLERS ONTO TRACK.**
- 2.15.2 Slide floor guide over floor guide anchor and tighten with set screws.

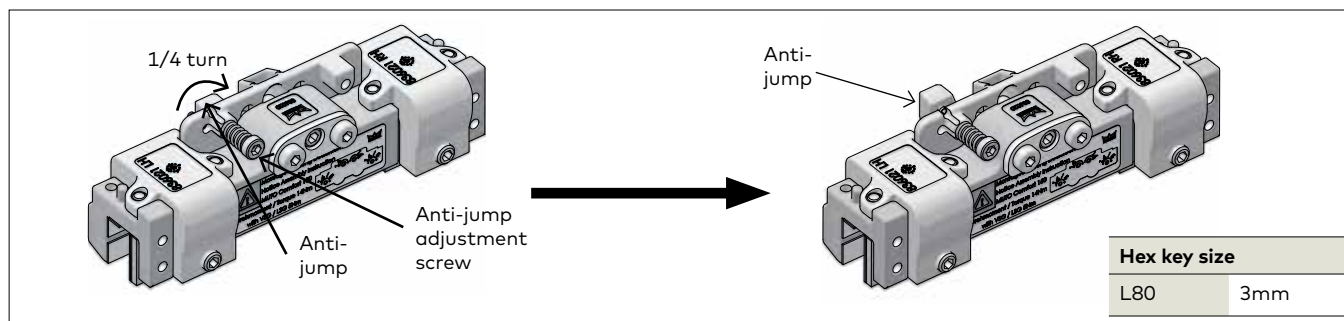
- 2.15.3 Remove setting blocks.

**NOTE: Be sure glass is centered in floor guide.**

- 2.15.4 Adjust using set screws.

## 2.16 Engaging anti-jump

Fig 15

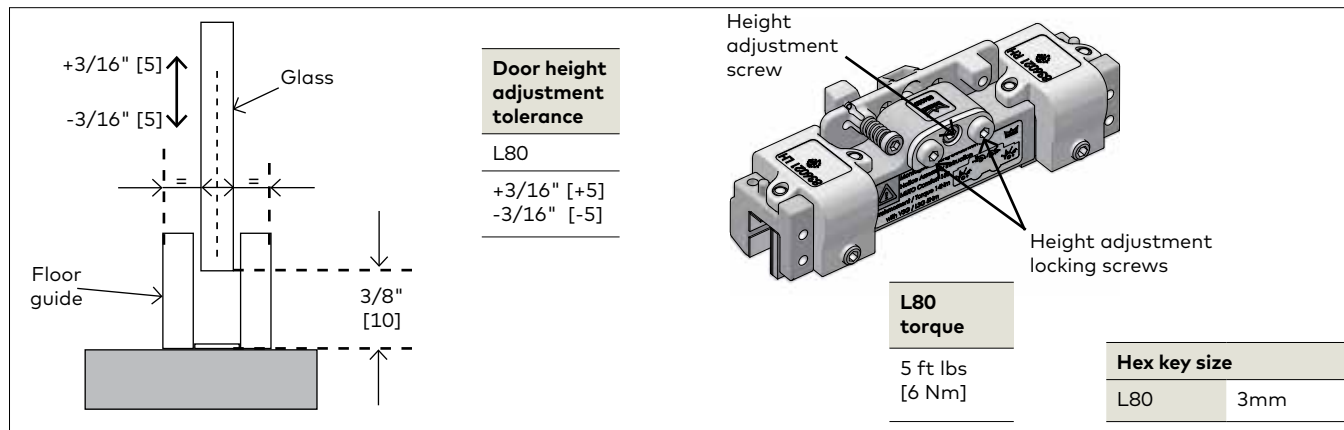


2.16.1 Engage anti-jump on roller carrier.

2.16.2 Using appropriate-size hex key, push anti-jump adjustment screw **IN** and turn **CLOCKWISE** 90° to **engage** anti-jump.

## 2.17 Adjustment door height

Fig 16



2.17.1 Set height of glass door.

2.17.2 Loosen height adjustment locking screws of carrier.

2.17.3 Using appropriate-size hex key, turn height adjustment screw **CLOCKWISE** or **COUNTER-CLOCKWISE** to raise or lower glass.

**NOTE: Be sure glass is level during this adjustment.**



## 2.18 Adjustment end stop location: LEADING end stop

Fig 17

**NOTE: bi-folding:**  
 Be sure there is a 1/4" [6] gap between the right and left hand sets.

Hex key size	
L80	2.5mm

**Set end stop locations:**  
 2.18.1 Slide end stop to desired location on track. Bumper should touch edge of roller carrier.

**L80 torque**  
 2 ft lbs [3 Nm]

**END STOP LOCATION: LEADING EDGE**

0mm

End stop

Bumper

Edge of roller carrier

Door closed

Glass overlap on wall

max. 1-3/16" [30]

Glass edge

Jamb edge

Door pull

Door pull to jamb distance.  
 \*Verify with local jurisdiction.\*

Secure

Bumper

## Adjustment end stop location: TRAILING end stop

Fig 18

**NOTE: bi-folding:**  
 Be sure there is a 1/4" [6] gap between the right and left hand sets.

Hex key size	
L80	2.5mm

**Set end stop locations:**  
 2.18.1 Slide end stop to desired location on track. Bumper should touch edge of roller carrier.

**L80 torque**  
 2 ft lbs [3 Nm]

**END STOP LOCATION: TRAILING EDGE**

0mm

End stop

Edge of roller carrier

Bumper

Door opened

Glass edge

Jamb edge

Door pull

Door pull to jamb distance.  
 \*Verify with local jurisdiction.\*

Secure

Bumper

## 2.19 Install DORMOTION units

Fig 19

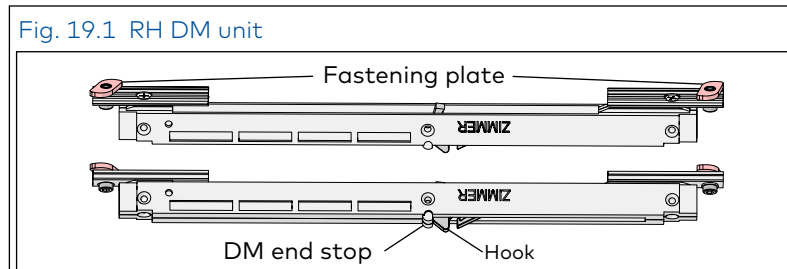


Fig. 19.2 RH DM unit fastening plates rotated

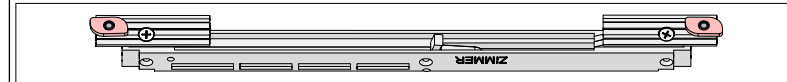


Fig. 19.3 RH DM unit inserted in track

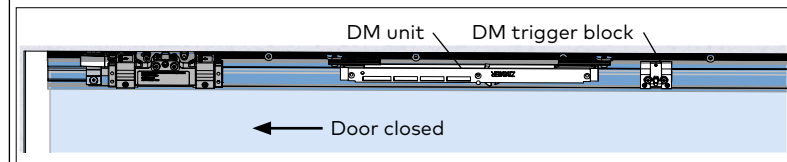


Fig. 19.4 DM unit hook positioned in trigger

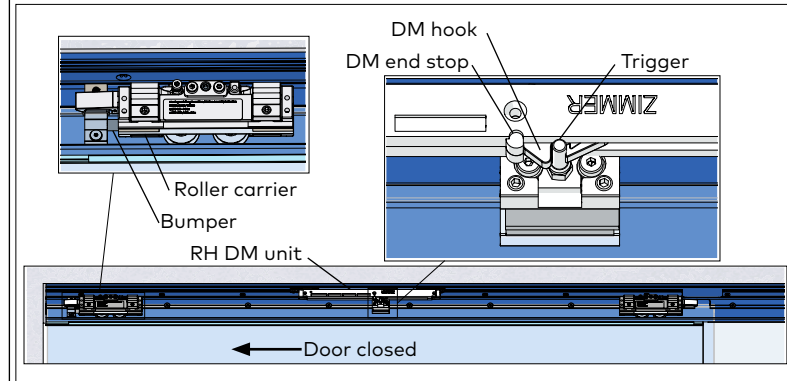


Fig. 19.5 DM unit end stop and hook separation adjustment

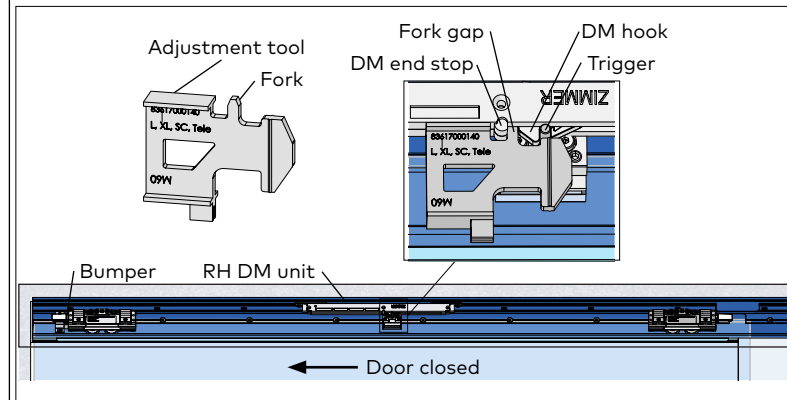
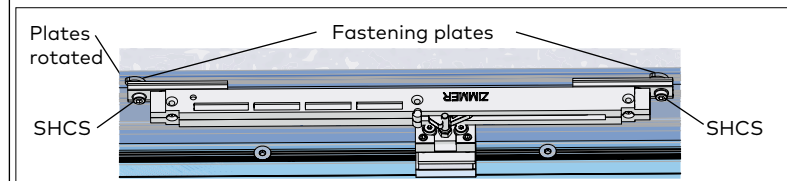


Fig. 19.6 RH DM unit fastening plates secured in track



### RH Dormotion -door closed

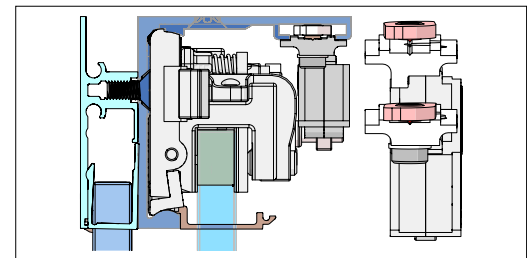
#### 2.19.1 Rotate RH DM fastening plates.

- Using 4 mm hex key, loosen fastening plate hex screws.
- Rotate fastening plates until they are parallel to the DM unit (Fig. 19.2)
- Snug hex screws.

#### 2.19.2 Move door to close position.

- For installation of RH DM unit, door must be in the closed position against bumper.

Fig. 19.7 RH DM unit aligned in track



#### 2.19.3 Align DM unit in track, engage DM hook in DM trigger.

- Align DM unit in track (Fig. 19.7).
- Slide DM unit over the DM trigger block until the DM hook engages the DM trigger (Fig. 19.4)

#### 2.19.4 Use adjustment tool to set DM unit final position.

- Place adjustment tool flat against DM unit with fork between DM hook and DM end stop (Fig. 19.5).
- Slide DM unit over until hook and DM end stop are against the fork. This sets 5 mm gap (fork gap).
- **Trigger height:** Adjust so trigger sets on top of adjustment tool (Para. 2.20).

#### 2.19.5 Secure the DM unit in position.

- NOTE: Insure door is fully closed against bumper before performing this step.
- Using 4 mm hex key, tighten DM unit fastening plate socket head cap screws . Fastening plates must engage the track (Fig. 18.6 and .8).

#### Torque

Socket head cap screws 3 ft lbs [4 Nm]

Fig. 19.8 RH DM unit installed in track

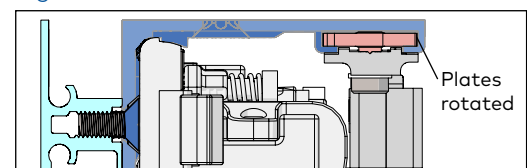


Fig. 19 (Con't)

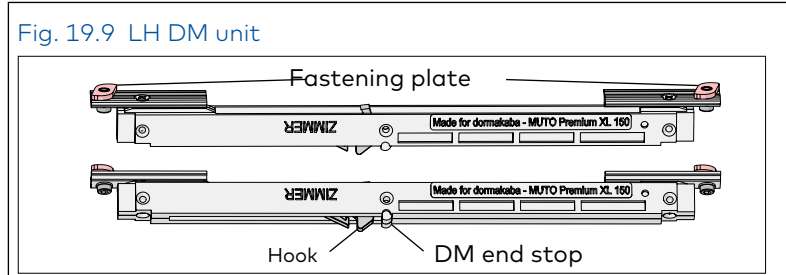


Fig. 19.10 LH DM unit fastening plates rotated

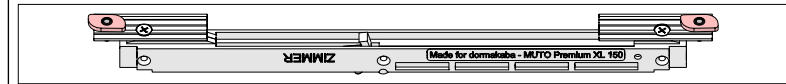


Fig. 19.11 LH DM unit inserted in track

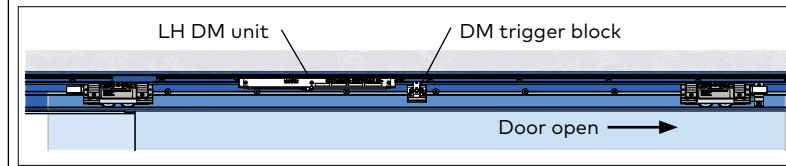


Fig. 19.12 DM unit hook positioned in trigger

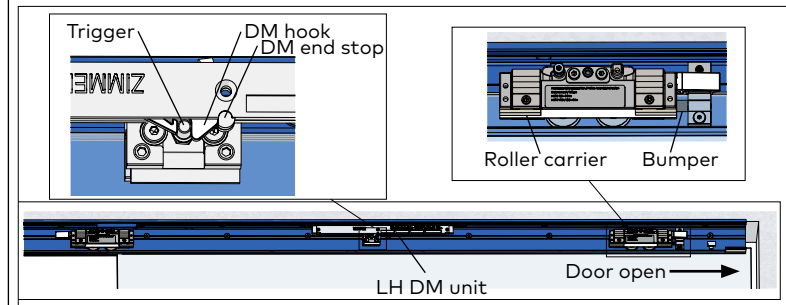


Fig. 19.13 DM unit end stop and hook separation adjustment

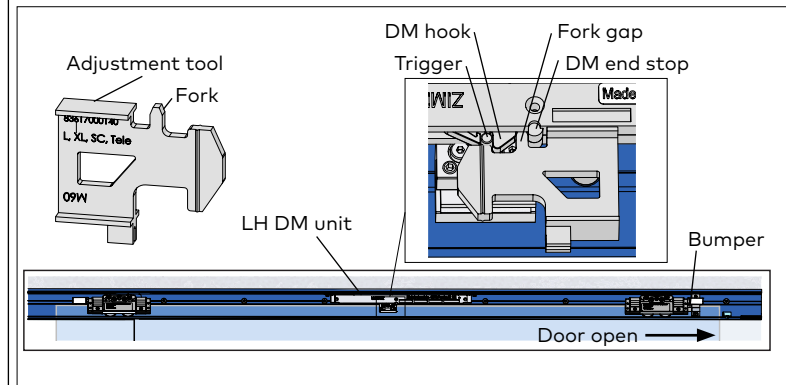
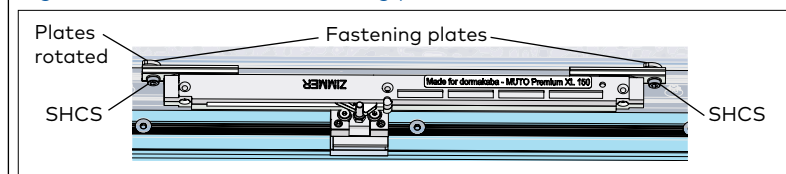


Fig. 19.14 LH DM unit fastening plates secured in track



**LH Dormotion -door open**

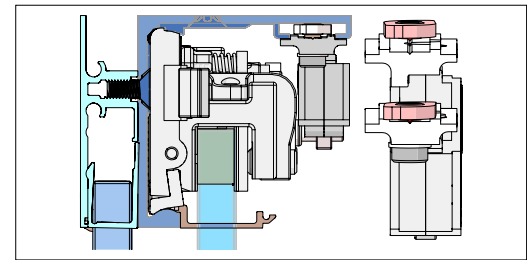
**2.19.6 Rotate DM fastening plates.**

- Using 4 mm hex key, loosen fastening plate hex screws.
- Rotate fastening plates until they are parallel to the DM unit (Fig. 19.10)
- Snug hex screws.

**2.19.7 Move door to open position.**

- For installation of LH DM unit, door must be in the open position against bumper.

Fig. 19.15 LH DM unit aligned in track



**2.19.8 Align DM unit in track, engage DM hook in DM trigger.**

- Align DM unit in track (Fig. 19.15).
- Slide DM unit over the DM trigger block until the DM hook engages the DM trigger (Fig. 19.12)

**2.19.9 Set DM unit final position.**

- Place adjustment tool flat against DM unit with fork between DM hook and DM end stop (Fig. 19.13).
- Slide DM unit over until hook and DM end stop are against the fork. This sets 5 mm gap (fork gap).
- **Trigger height:** Adjust so trigger sets on top of adjustment tool (Para. 2.20).

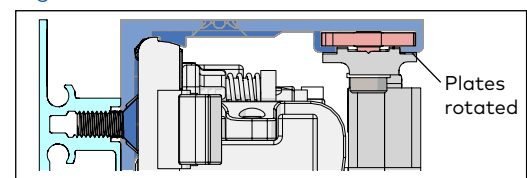
**2.19.10 Secure the DM unit in position.**

- NOTE: Insure door is fully open against bumper before performing this step.
- Using 4 mm hex key, tighten DM unit fastening plate socket head cap screws . Fastening plates must engage the track (Fig. 19.16).

**Torque**

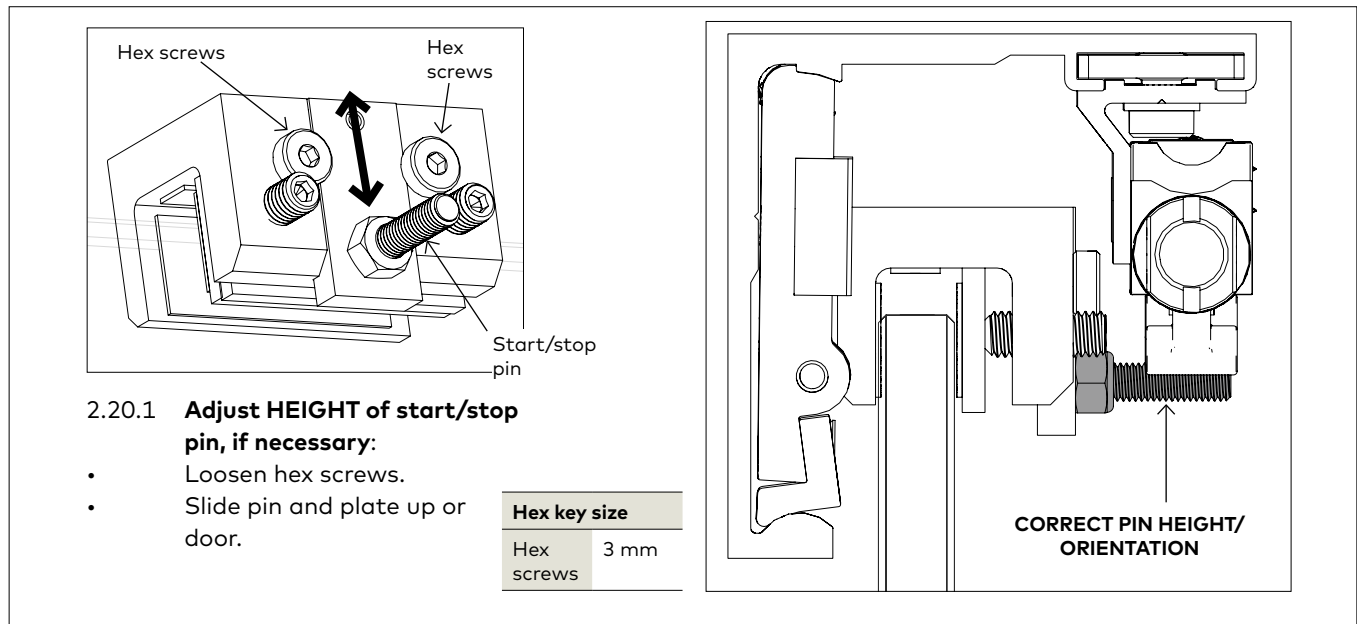
Socket head cap screws 3 ft lbs [4 Nm]

Fig. 19.16 LH DM unit installed in track



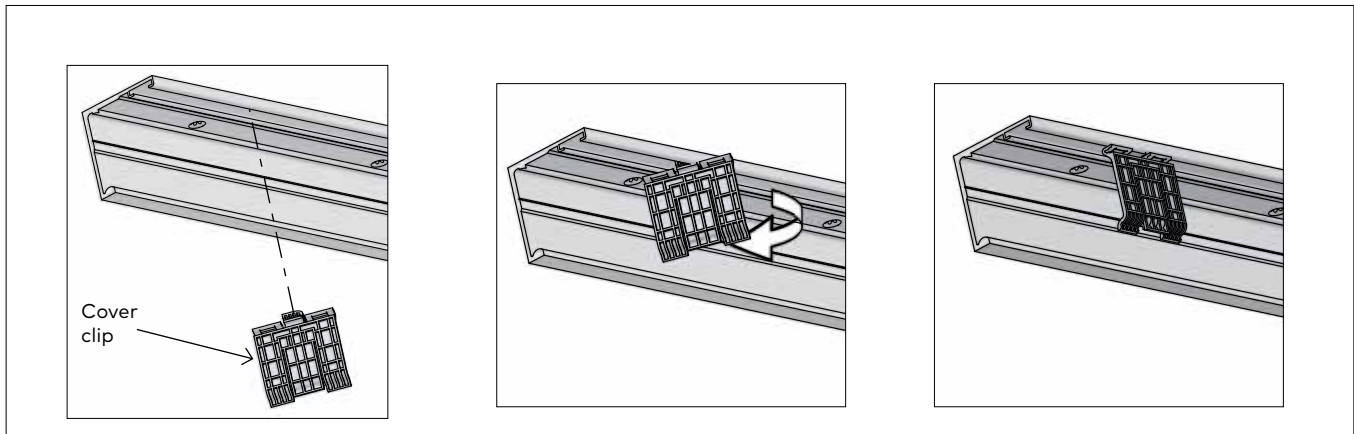
## 2.20 Adjust start/stop pin height (if necessary)

Fig 20



## 2.21 Cover clips

Fig 21

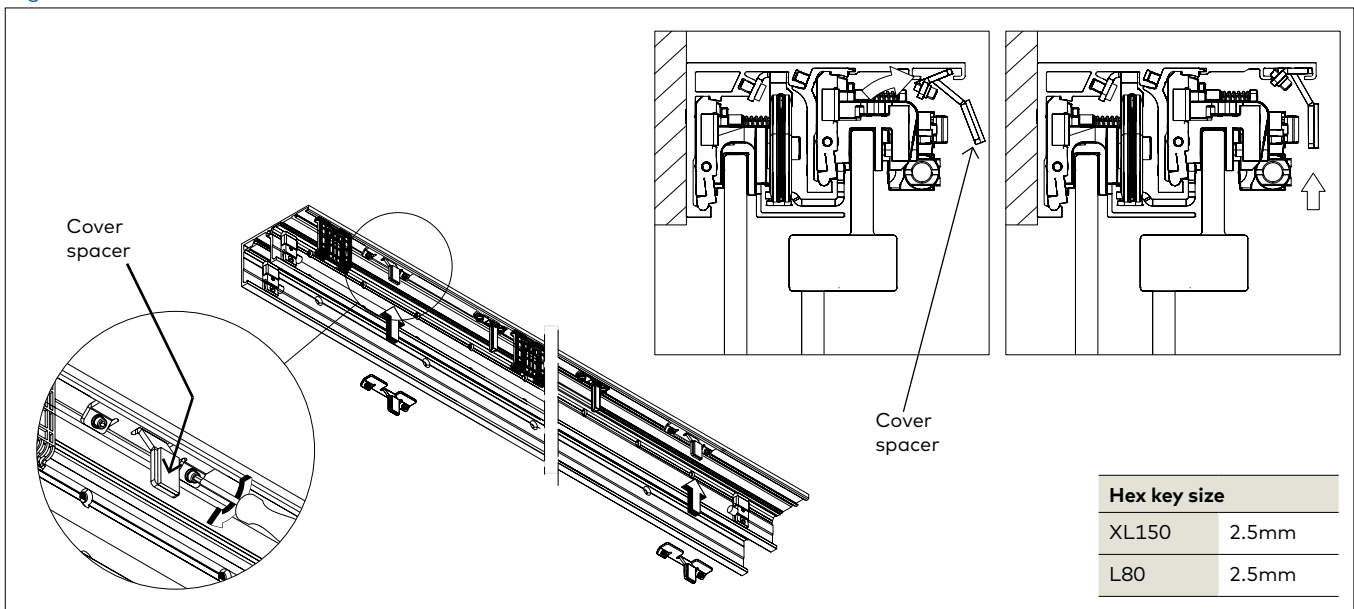


2.21.1 Insert cover clips into track. (One clip per foot)

2.21.2 Insert perpendicular to track, and turn **CLOCKWISE** to snap into place.

## 2.22 Cover spacers

Fig 22



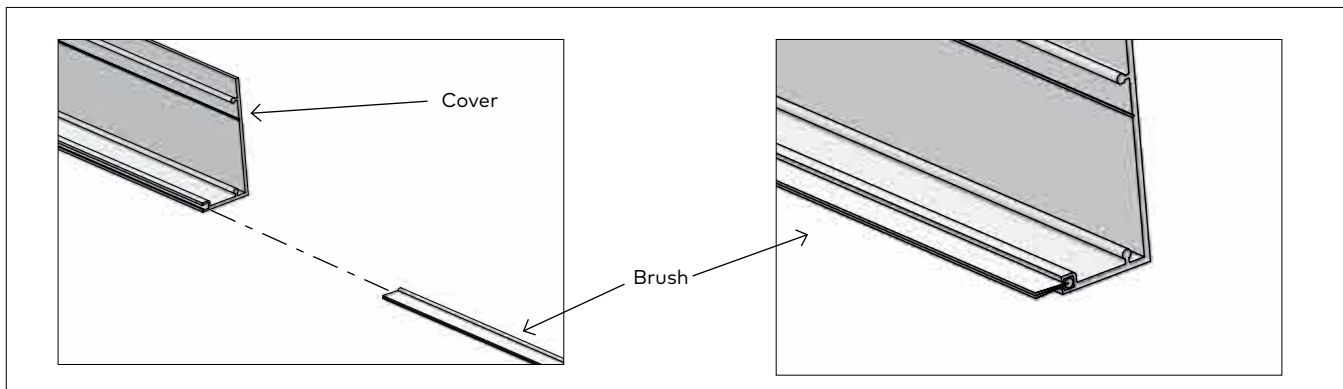
2.22.1 Tip cover spacers into outer most edge of track.

2.22.3 Tighten at at 1 ft lbs [1Nm] or hand tight.

2.22.2 Place one at each end of track as shown.

## 2.23 Install brush profile

Fig 23

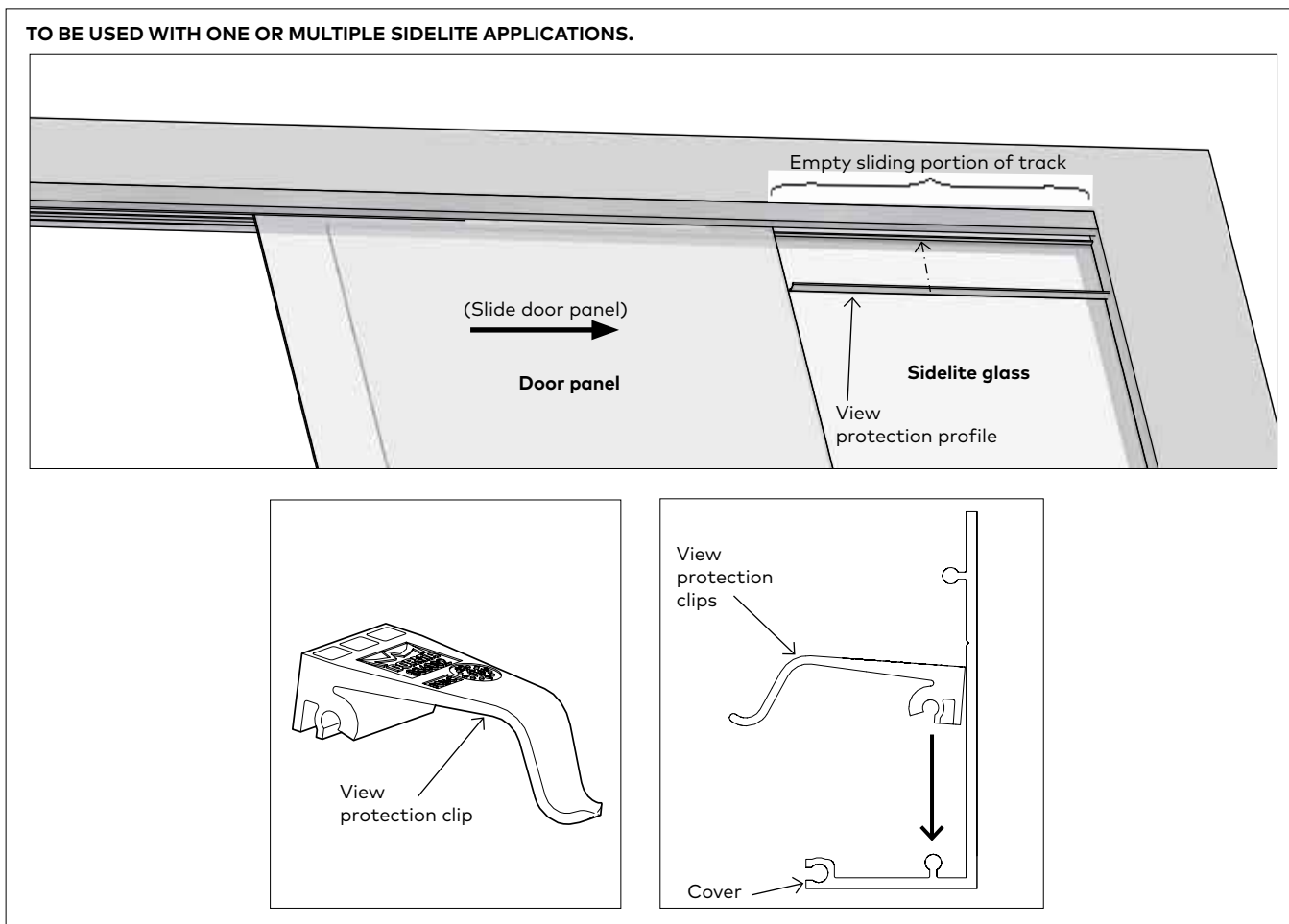


2.23.1 Measure and cut brush to appropriate length.

2.23.2 Slide brush into cover.

## 2.24 Install view protection clips

Fig 24



2.24.1 Slide door open until it meets the end stop.

2.24.2 Measure and cut view protection profile to fit into empty sliding portion of track - 3/16" [5].

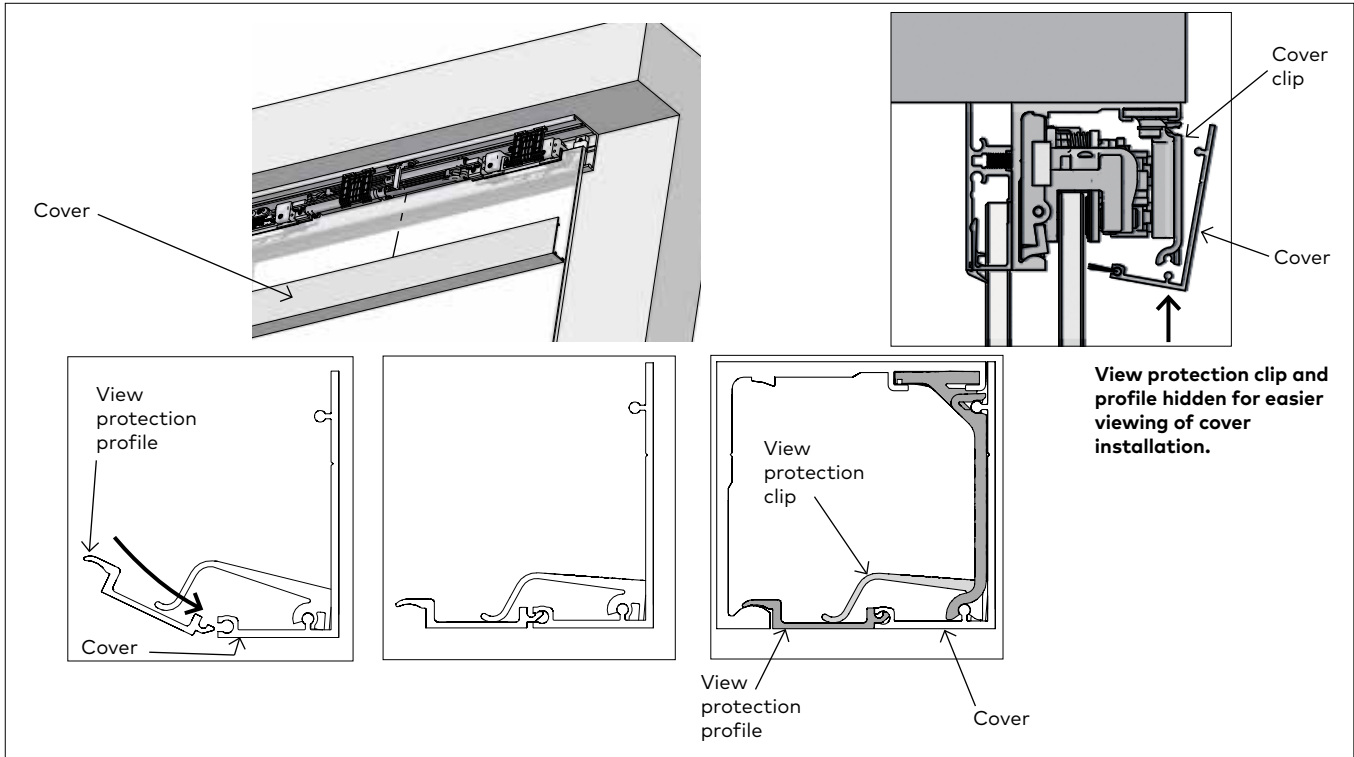
2.24.3 Snap view protection clips onto inside of cover as shown.

2.24.4 Use minimum 1 clip per foot of profile.

**Exception: If profile is minimum of 1 foot in length, use 2 clips.**

## 2.25 Install cover and view protection profile

Fig 25



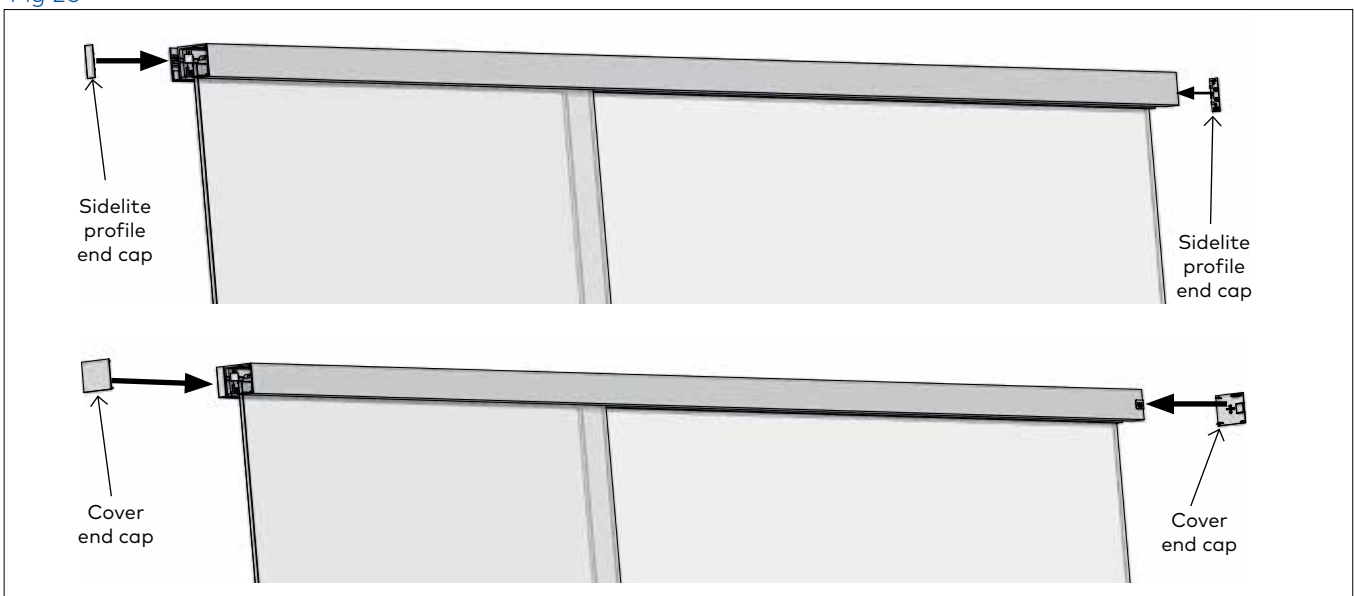
2.25.1 Secure cover to clips and snap into place.

**NOTE: Roll cover from the bottom upwards. Ensure the bottom of the cover is supported by the groove in the cover clip.**

2.25.2 Tip view protection profile up into track and snap down into cover and onto track as shown.

## 2.26 Install end caps

Fig 26



2.26.1 Snap sidelite profile end caps into sidelite profile.

2.26.2 Snap end caps into cover.



**Scan for product details and downloads.**

Call 800-523-8483 or visit  
[glasstechserv.us@dormakaba.com](mailto:glasstechserv.us@dormakaba.com)  
for assistance or warranty information

**dormakaba USA, Inc.**  
**1 Dorma Drive, Drawer AC**  
**Reamstown, PA 17567**